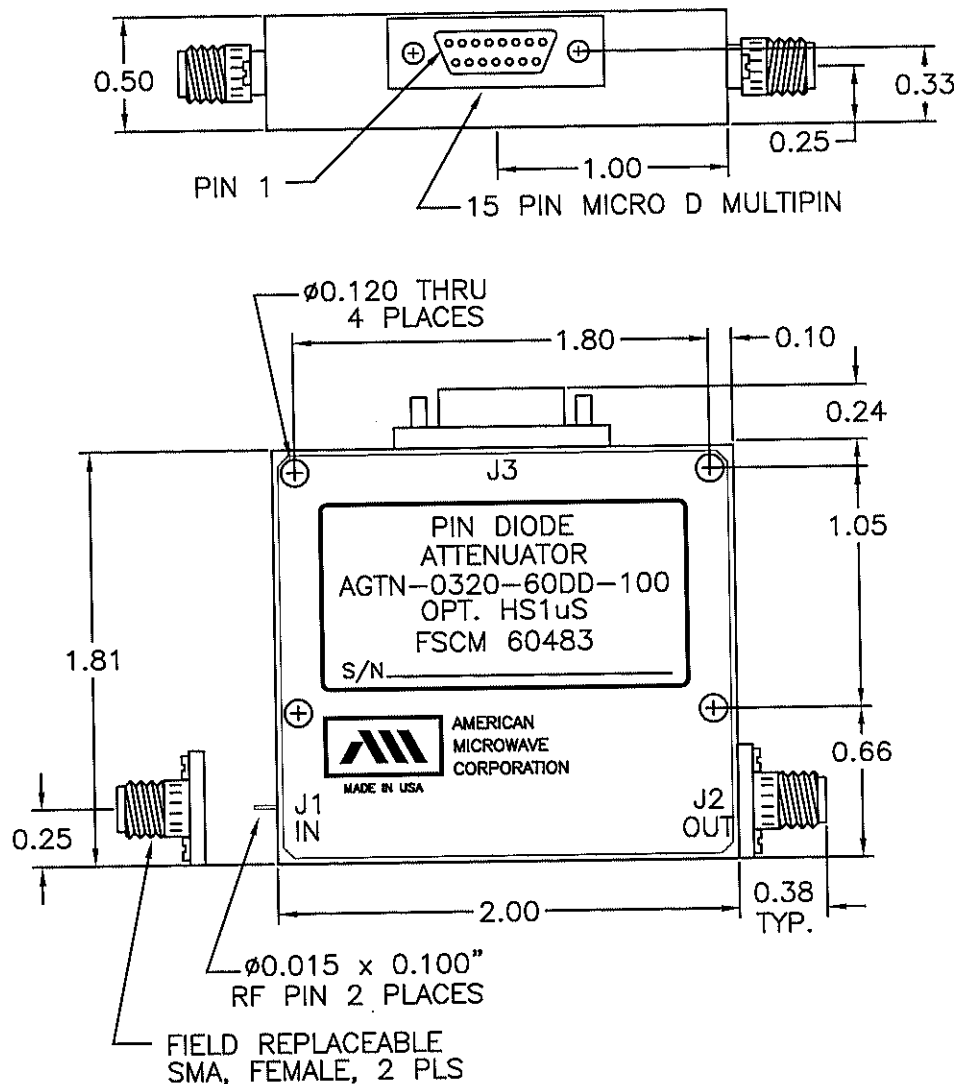


DESCRIPTION

AMC MODEL AGTN-0320-60DD-100 OPT.HS1uS IS A DIGITALLY CONTROLLED VARIABLE ATTENUATOR DESIGNED TO OPERATE BETWEEN THE 0.1 TO 20 GHz FREQUENCY RANGE, 0.3 TO 18 GHz OPTIMIZED.

REVISIONS				
ECR	REV.	DESCRIPTION	DATE	APPROVED
	-	ORIGINAL RELEASE- JOB# 712226XPE	12/18/07	
	A	SEE ECR# 08-005	1/16/08	<i>pb</i>



MECHANICAL OUTLINE

8 BIT TRUE BINARY LOGIC J3 PIN FUNCTIONS	
PIN NO.	FUNCTIONS.
1	GND
2	* N/C
3	* N/C
4	GND
5	0.25 dB
6	0.5 dB
7	1.0 dB
8	2.0 dB
9	4.0 dB
10	8.0 dB
11	16.0 dB
12	32.0 dB
13	+V
14	-V
15	* N/C

* N/C = NO CONNECTION

AMERICAN MICROWAVE CORPORATION

7311-G GROVE ROAD
 FREDERICK, MARYLAND 21704 USA
 TEL: 301-662-4700 FAX: 301-662-4938
 WEBSITE: www.americanmicrowavecorp.com
 E-MAIL: sales@americanmicrowavecorp.com
 ISO 9001:2000 CERTIFIED



ALL DIMENSIONS ARE IN INCHES
 TOLERANCES:
 X.XX ±0.020
 X.XXX ±0.010

APPROVALS		DATE	TITLE		
DRAWN	<i>JDJ</i>	9/20/05	MECHANICAL OUTLINE		
CHECKED	<i>LB</i>	9/20/06	AGTN-0320-60DD-100 OPT:HS1uS		
RE-DRAWN	<i>PRB</i>	02/27/07	0.1-20 GHz, DIGITALLY CONTROLLED VARIABLE ATTENUATOR		
			0.3-18 GHz OPTIMIZED FREQUENCY RANGE		
			SIZE	FSCM NO.	DWG NO.
			A	60483	100-A004-001
			SCALE	N:S	SHEET 2 OF 4
					REV. A

DESCRIPTION

AMC MODEL AGTN-0320-60DD-100 OPT.HS1uS IS A DIGITALLY CONTROLLED VARIABLE ATTENUATOR DESIGNED TO OPERATE BETWEEN THE 0.1 TO 20 GHz FREQUENCY RANGE, 0.3 TO 18 GHz OPTIMIZED.

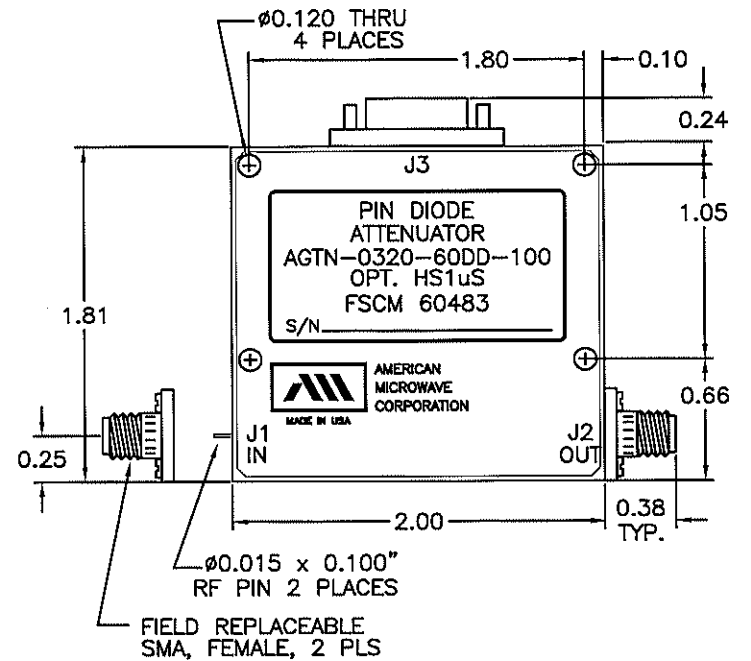
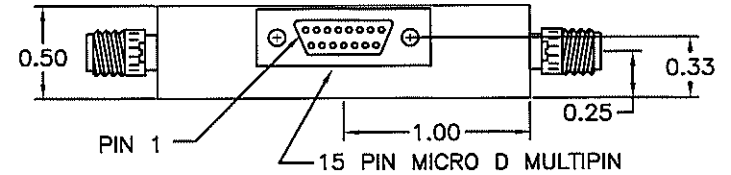
SPECIFICATIONS

- FREQUENCY RANGE: 0.1 TO 20 GHz (0.3 TO 18 GHz OPTIMIZED)
- INSERTION LOSS: 5.0 dB MAXIMUM
- ATTENUATION FLATNESS: ... 0-10 dB ± 1.0 dB MAXIMUM
 (± dB MAXIMUM) 10-30 dB ± 2.0 dB MAXIMUM
 30-50 dB ± 3.0 dB MAXIMUM
 50-60 dB ± 7.0 dB MAXIMUM
- ATTENUATION ACCURACY: ... 0-10 dB ± 2.0 dB MAXIMUM
 10-20 dB ± 1.0 dB MAXIMUM
 20-40 dB ± 1.5 dB MAXIMUM
 40-60 dB ± 2.0 dB MAXIMUM
- SWITCHING TIME: 1 uSec MAXIMUM
- VSWR: 2.2:1 MAXIMUM
- RF POWER RATINGS:
 OPERATING: +20 dBm CW MAXIMUM
 +10 dBm (0.3 GHz OR BELOW)
 SURVIVAL: +30 dBm CW MAXIMUM
 +27 dBm (0.3 GHz OR BELOW)
- CONTROL: 8 BIT TRUE BINARY LOGIC
- POWER SUPPLY: +12 VDC @ 250 mA MAXIMUM
 -12 VDC @ 50 mA MAXIMUM
- CONNECTORS:
 RF INPUT/OUTPUT: SMA FEMALE
 POWER AND CONTROLS: ... 15 PIN MICRO-D SUBMINIATURE (FEMALE, 15SSP)
 MATING CONNECTOR FURNISHED
- SIZE: 2.00" x 1.81" x 0.50"

8 BIT TRUE BINARY LOGIC J3 PIN FUNCTIONS	
PIN NO.	FUNCTIONS.
1	GND
2	* N/C
3	* N/C
4	GND
5	0.25 dB
6	0.5 dB
7	1.0 dB
8	2.0 dB
9	4.0 dB
10	8.0 dB
11	16.0 dB
12	32.0 dB
13	+V
14	-V
15	* N/C

* N/C = NO CONNECTION

REVISIONS				
ECR	REV.	DESCRIPTION	DATE	APPROVED
-	-	ORIGINAL RELEASE- JOB# 712226XPE	12/18/07	
	A	SEE ECR# 08-005	1/16/08	



OPTIONS:

- HS1uS SWITCHING SPEED OF 1uS MAXIMUM

ENVIRONMENTAL RATINGS:

- TEMPERATURE: -55°C TO +125°C (OPERATING)
 -65°C TO +125°C (STORAGE)
- HUMIDITY: MIL-STD-202F, METHOD 103B COND. B
- SHOCK: MIL-STD-202F, METHOD 213B COND. B
- VIBRATION: MIL-STD-202F, METHOD 204D COND. B
- ALTITUDE: MIL-STD-202F, METHOD 105C COND. B
- TEMPERATURE CYCLE: MIL-STD-202F, METHOD 107D COND. A

NOTE: SPECIFICATIONS WILL VARY OVER OPERATING TEMPERATURE
 NOTE: THE ABOVE SPECIFICATIONS ARE SUBJECT TO CHANGE OR REVISION

ALL DIMENSIONS ARE IN INCHES
 TOLERANCES:
 X.XX ±0.020
 X.XXX ±0.010

AMERICAN MICROWAVE CORPORATION

7311-G GROVE ROAD
 FREDERICK, MARYLAND 21704 USA
 TEL: 301-662-4700 FAX: 301-662-4938
 WEBSITE: www.americanmicrowavecorp.com
 E-MAIL: sales@americanmicrowavecorp.com
 ISO 9001:2000 CERTIFIED



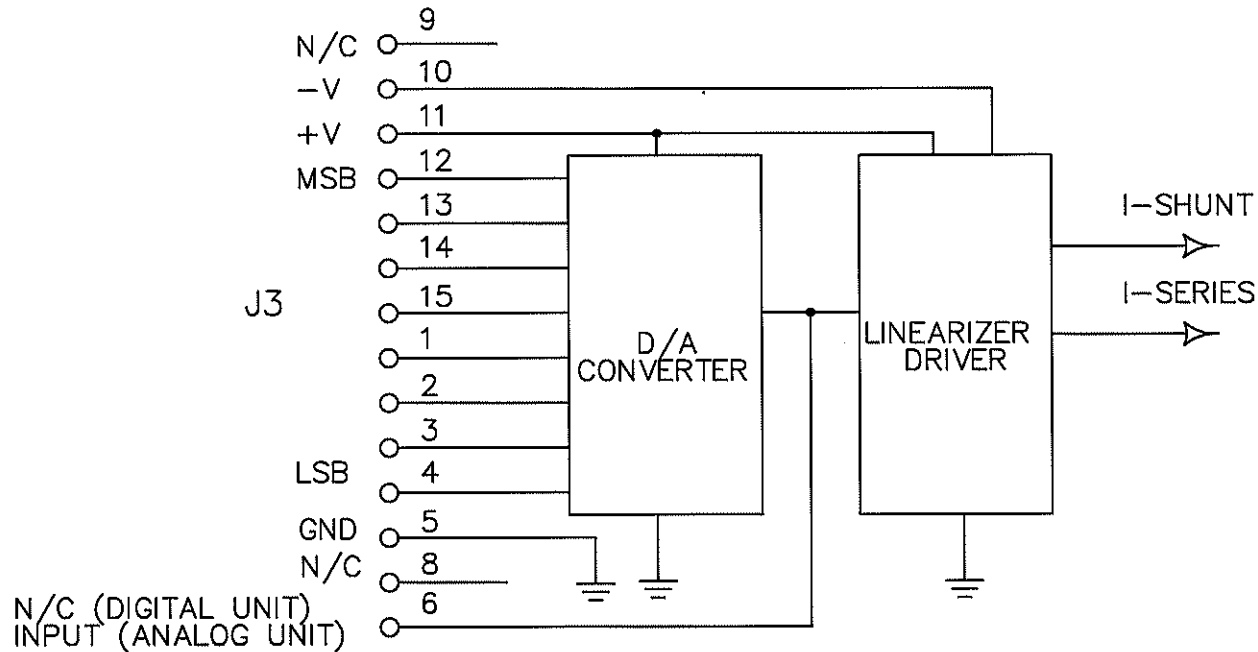
APPROVALS		DATE	TITLE		
DRAWN	<i>JDJ</i>	9/20/05	PRODUCT FEATURE AGTN-0320-60DD-100 OPT:HS1uS		
CHECKED	<i>LG</i>	9/20/06	0.1-20 GHz, DIGITALLY CONTROLLED VARIABLE ATTENUATOR 0.3-18 GHz OPTIMIZED FREQUENCY RANGE		
RE-DRAWN	<i>PRB</i>	02/27/07	SIZE	FSCM NO.	DWG NO.
			A	60483	100-A004-001
			SCALE	N:S	SHEET 1 OF 4

DESCRIPTION

AMC MODEL AGTN-0320-60DD-100 OPT.HS1uS IS A DIGITALLY CONTROLLED VARIABLE ATTENUATOR DESIGNED TO OPERATE BETWEEN THE 0.1 TO 20 GHz FREQUENCY RANGE, 0.3 TO 18 GHz OPTIMIZED.

REVISIONS				
ECR	REV.	DESCRIPTION	DATE	APPROVED
	-	ORIGINAL RELEASE- JOB# 712226XPE	12/18/07	
	A	SEE ECR# 08-005	1/18/08	<i>[Signature]</i>

FUNCTIONAL BLOCK DIAGRAM



AMERICAN MICROWAVE CORPORATION

7311-G GROVE ROAD
 FREDERICK, MARYLAND 21704 USA
 TEL: 301-662-4700 FAX: 301-662-4938
 WEBSITE: www.americanmicrowavecorp.com
 E-MAIL: sales@americanmicrowavecorp.com
 ISO 9001:2000 CERTIFIED



APPROVALS		DATE	TITLE			REV.
DRAWN	<i>[Signature]</i>	9/20/05	FUNCTIONAL BLOCK DIAGRAM			
CHECKED	<i>[Signature]</i>	9/20/06	AGTN-0320-60DD-100 OPT:HS1uS			
RE-DRAWN	<i>[Signature]</i>	02/27/07	0.1-20 GHz, DIGITALLY CONTROLLED VARIABLE ATTENUATOR			
			0.3-18 GHz OPTIMIZED FREQUENCY RANGE			
			SIZE	FSCM NO.	DWG NO.	REV.
			A	60483	100-A004-001	A
			SCALE N:S		SHEET	3 OF 4